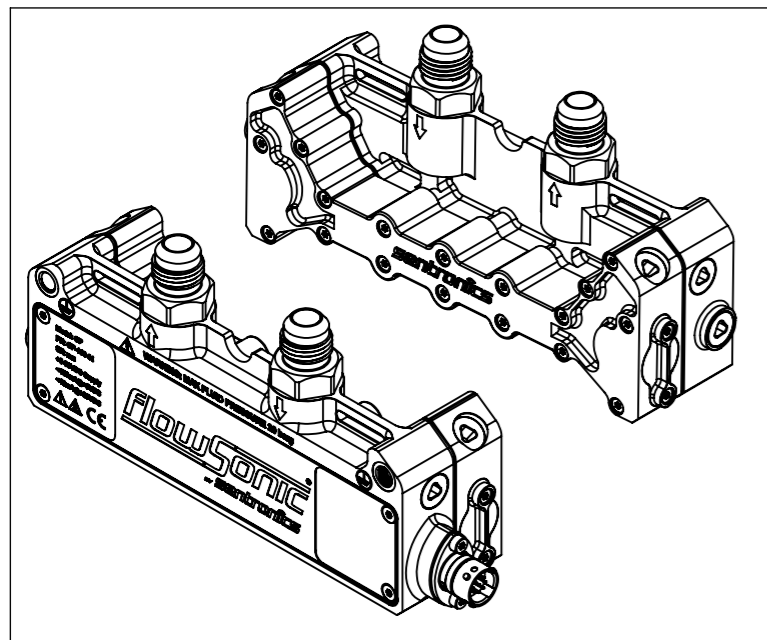
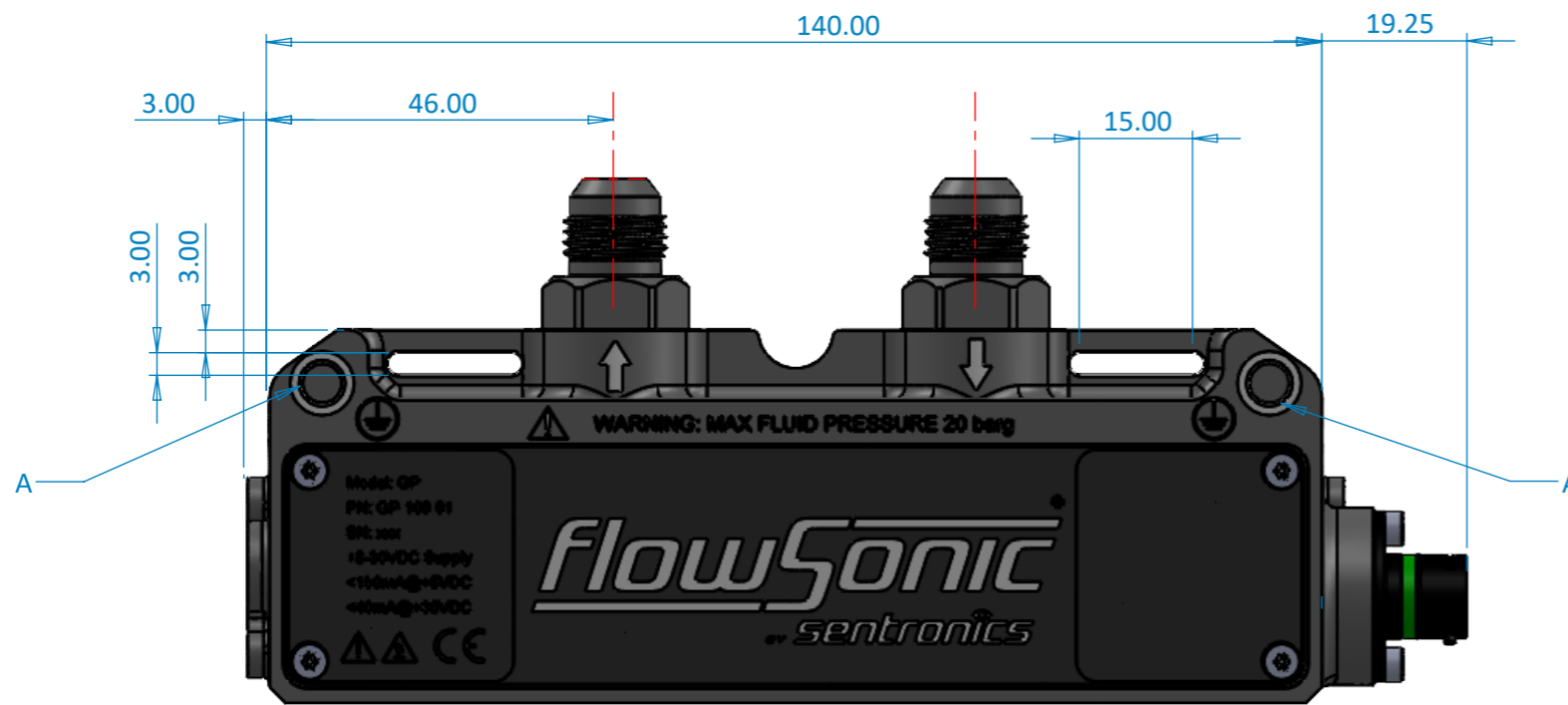
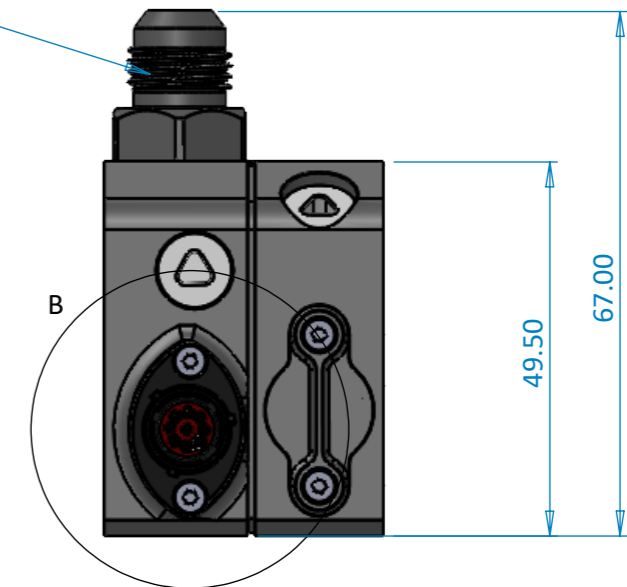


DETAIL B
SCALE 2 : 1

-6AN
(9/16" UNF)



ASDD006-09-PD-FI-952K	
PIN 1	V+ SUPPLY
PIN 2	CAN HI
PIN 3	CAN LOW
PIN 4	N/C
PIN 5	N/C
PIN 6	COMMS A
PIN 7	COMMS B
PIN 8	CAN SELECT*
PIN 9	GnD
MATING HALF CONNECTOR ASDD606-09-SD-FI-952K	

A - M6 x 1.00 THREAD x 12.00mm DEEP FOR ATTACHMENT OF MOUNTING BRACKET OR RIGID FIXING TO APPLICATION.

* LOOM DETECT RESISTOR

UNLESS OTHERWISE SPECIFIED: DIMENSIONS ARE IN MILLIMETERS SURFACE FINISH: TOLERANCES: LINEAR: ±0.05 ANGULAR:		FINISH: ANODISE TO DEF STAN 00-35 COLOUR: BLACK	DEBUR AND BREAK SHARP EDGES	REVISION 01	ISSUE FIRST RELEASE	DATE 14/03/24	APPROVED NJM
DRAWN CHK'D APPV'D MFG Q.A	NAME NJM	SIGNATURE	DATE 14.03.24	TITLE: FLOWSONIC SENSOR - FFM			
MATERIAL: AL6082 T6		THIRD ANGLE		DWG NO. GP-100-01		A3	
WEIGHT: 321g		SCALE: 1:1		SHEET 1 OF 1			

