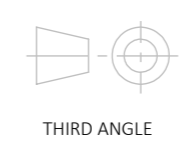
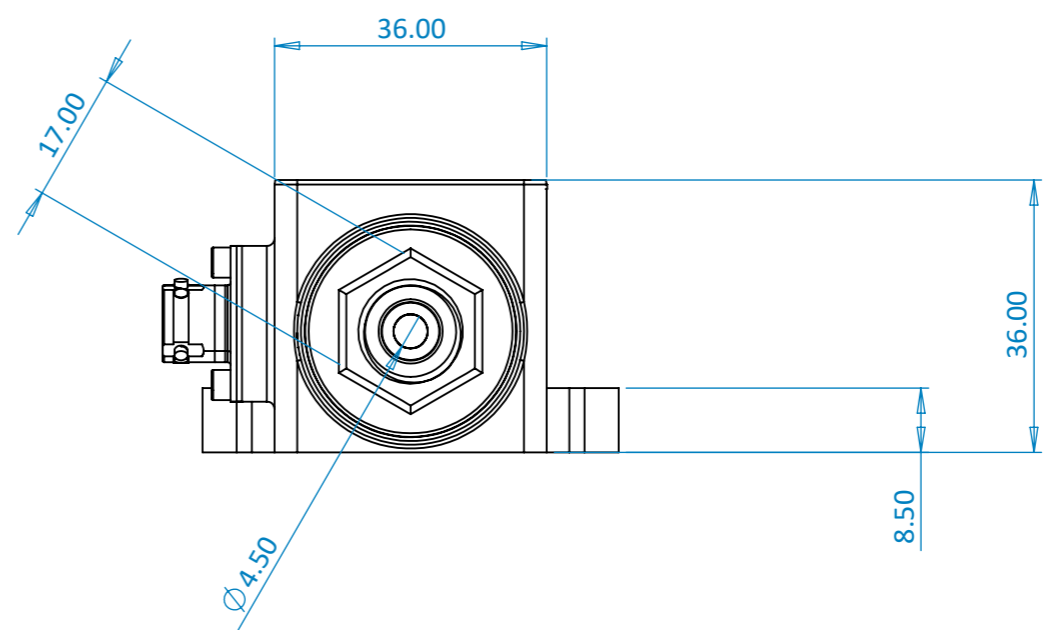
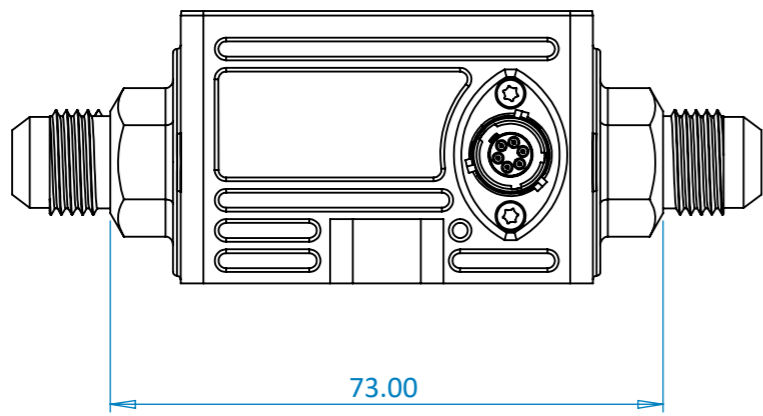
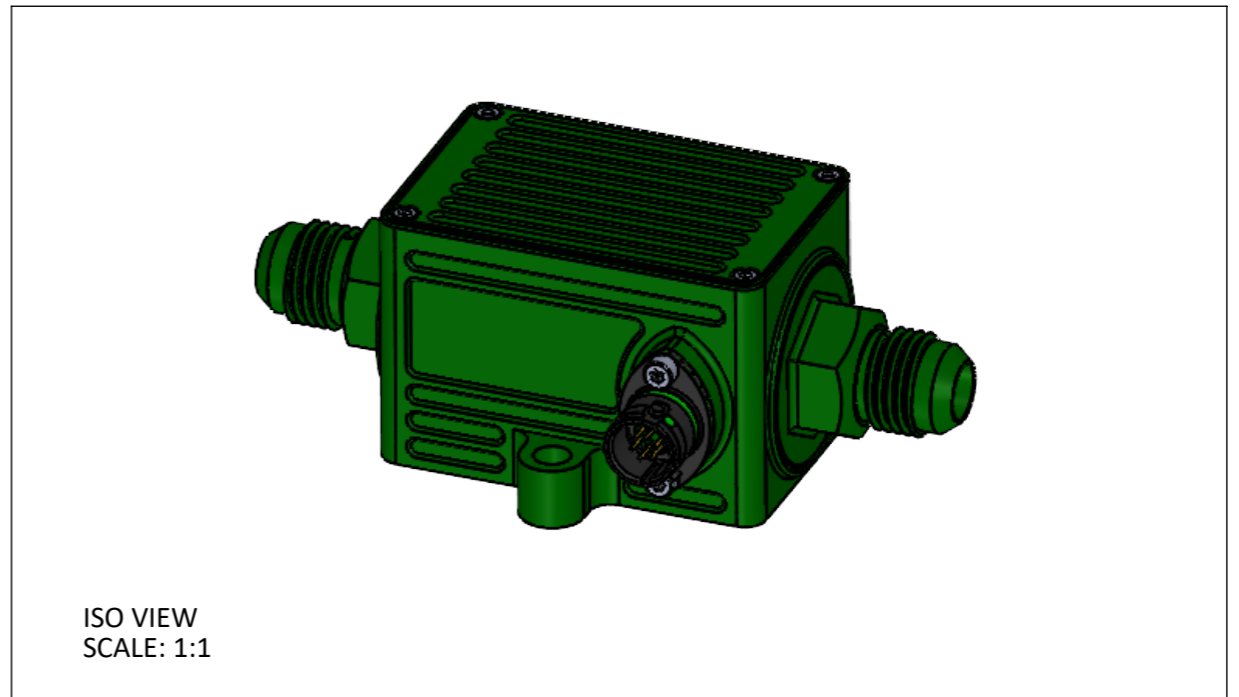
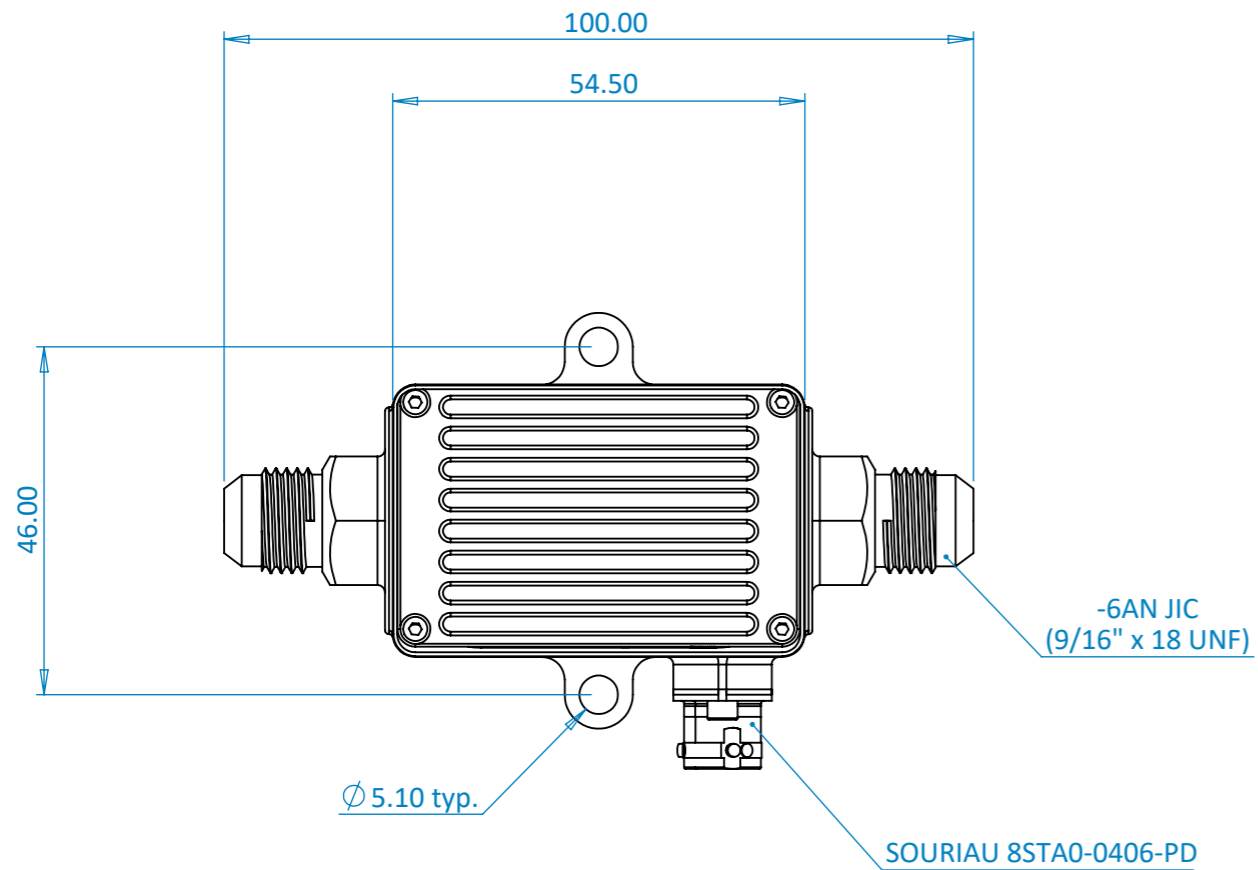


Souriau 8STA0-0406-PD	
Pin No.	Designation
Pin 1	V+ (8 -30VDC)
Pin 2	GnD
Pin 3	CAN Hi
Pin 4	CAN Lo
Pin 5	Tx
Pin 6	Rx

UNLESS OTHERWISE SPECIFIED: DIMENSIONS ARE IN MILLIMETERS SURFACE FINISH: TOLERANCES: LINEAR: ±0.05 ANGULAR: ±0.05		FINISH: ANODISE TO DEF STAN 0035 COLOUR GREEN	DEBUR AND BREAK SHARP EDGES	REVISION ISSUE 01	DESCRIPTION FIRST RELEASE	DATE 27.05.25	APPROVED NJM
DRAWN NJM	NAME	SIGNATURE	DATE 27.05.25	TITLE: REALFLOW D450-4AN			
CHK'D							
APP'VD							
MFG							
Q.A	MATERIAL: 6082 T6		DWG NO. PA-010-01		A3		
<small>© DESIGN COPYRIGHT RESERVED Sentronics Ltd Unit 13, Overton Business Centre Salisbury Wiltshire SP5 2JH TEL: +44(0)1753 513703 Email: info@sentronics.com Website: www.sentronics.com</small>		WEIGHT:	SCALE: 1:1	SHEET 1 OF 1			





Souriau 8STA0-0406-PD	
Pin No.	Designation
Pin 1	V+ (8 -30VDC)
Pin 2	GnD
Pin 3	CAN Hi
Pin 4	CAN Lo
Pin 5	Tx
Pin 6	Rx

UNLESS OTHERWISE SPECIFIED: DIMENSIONS ARE IN MILLIMETERS SURFACE FINISH: TOLERANCES: LINEAR: ±0.05 ANGULAR: ±0.05		FINISH: ANODISE TO DEF STAN 0035 COLOUR GREEN	DEBUR AND BREAK SHARP EDGES	REVISION ISSUE 01	DESCRIPTION FIRST RELEASE	DATE 27.05.25	APPROVED NJM
DRAWN NJM	NAME	SIGNATURE	DATE 27.05.25	TITLE: REALFLOW D450-6AN			
CHK'D							
APPV'D							
MFG							
Q.A	MATERIAL: 6082 T6		DWG NO. PA-015-01		A3		
<small>© DESIGN COPYRIGHT RESERVED Sentronics Ltd Unit 13, Overton Business Centre Salisbury Wiltshire SP5 3JH TEL: +44(0)1753 513703 Email: info@sentronics.com Website: www.sentronics.com</small>		WEIGHT:	SCALE: 1:1	SHEET 1 OF 1			

